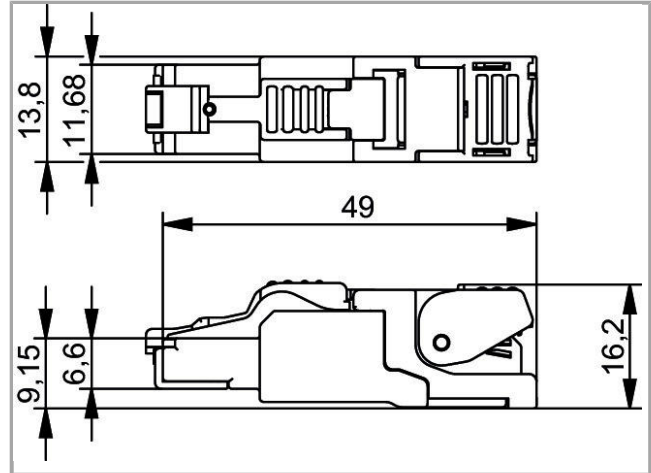
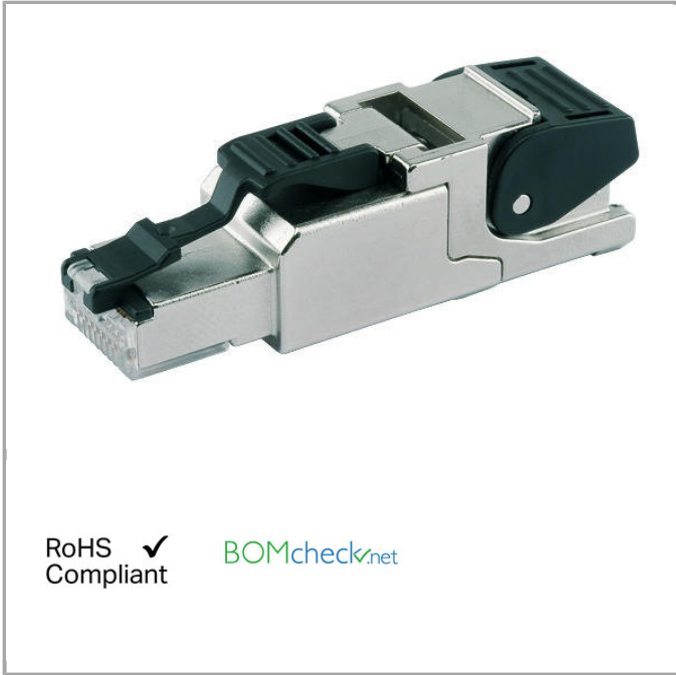


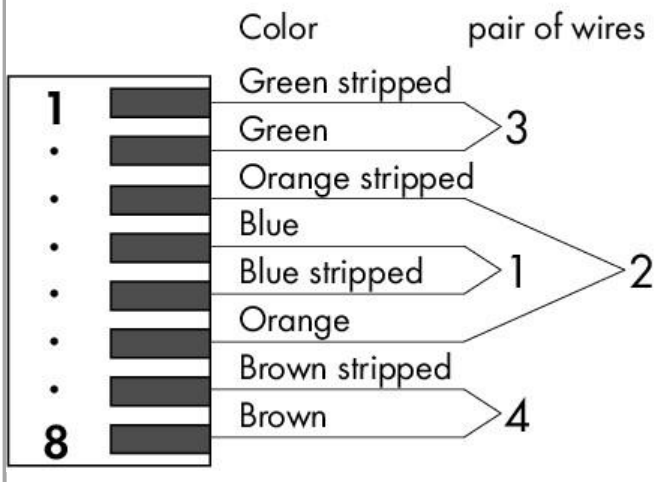
750-977/000-021



RoHS Compliant

[BOMcheck.net](https://www.bomcheck.net)

Pin assignment TIA-568A



Data

Technical Data

Connection type	Stecker RJ-45
No. of poles	8
Leitungsanschlussrichtung zur Steckrichtung	0°
Communication/Fieldbus	Ethernet

Code	TIA-568A
Baud rate	-

Connection data

Connection type (1)	IDC-(Schneidklemm-)Kontakt
Solid conductor	0.13 ... 0.21 mm ² / 26/1 ... 24/1 AWG
Stranded conductor (2)	0.11 ... 0.23 mm ² / 27/7 ... 24/7 AWG

Geometrical Data

Width	13.8 mm
Height	16.2 mm
Depth	49 mm

Mechanical data

Connection requirement (permissible cable type)	Cat. 6 A
Connectable sheathed cable diameter	5.5 ... 9 mm
Housing material	Zinc die casting
Weight	18 g

Environmental Requirements

Surrounding air (operating) temperature	-40 ... 85 °C
Surrounding air (storage) temperature	-40 ... 85 °C
Protection class	IP20
Relative air humidity (no condensation)	95 %
Standards/specifications	IEC60603-7-51, ISO/IEC 11801, IEEE 802.3an; EIA/TIA 568-C.2; DIN EN 50173-1; UL 1863; UL 2043

Commercial data

Country of origin	TW
GTIN	4055143586214
Customs Tariff No.	85366990990

Downloads

Documentation

Bid Text

750-977/000-021	doc	Download
	24.6 kB	

Additional Information

Disposal: Electrical and electronic equipment Packaging



Subject to changes.
